



Spare parts for:

Coffee grinders



Suitable for:

GAGGIA



This catalogue is automatically generated.
Therefore, the sequence of the items might
not be always shown at best.
Updates will be issued in case of additions
and/or amendments.

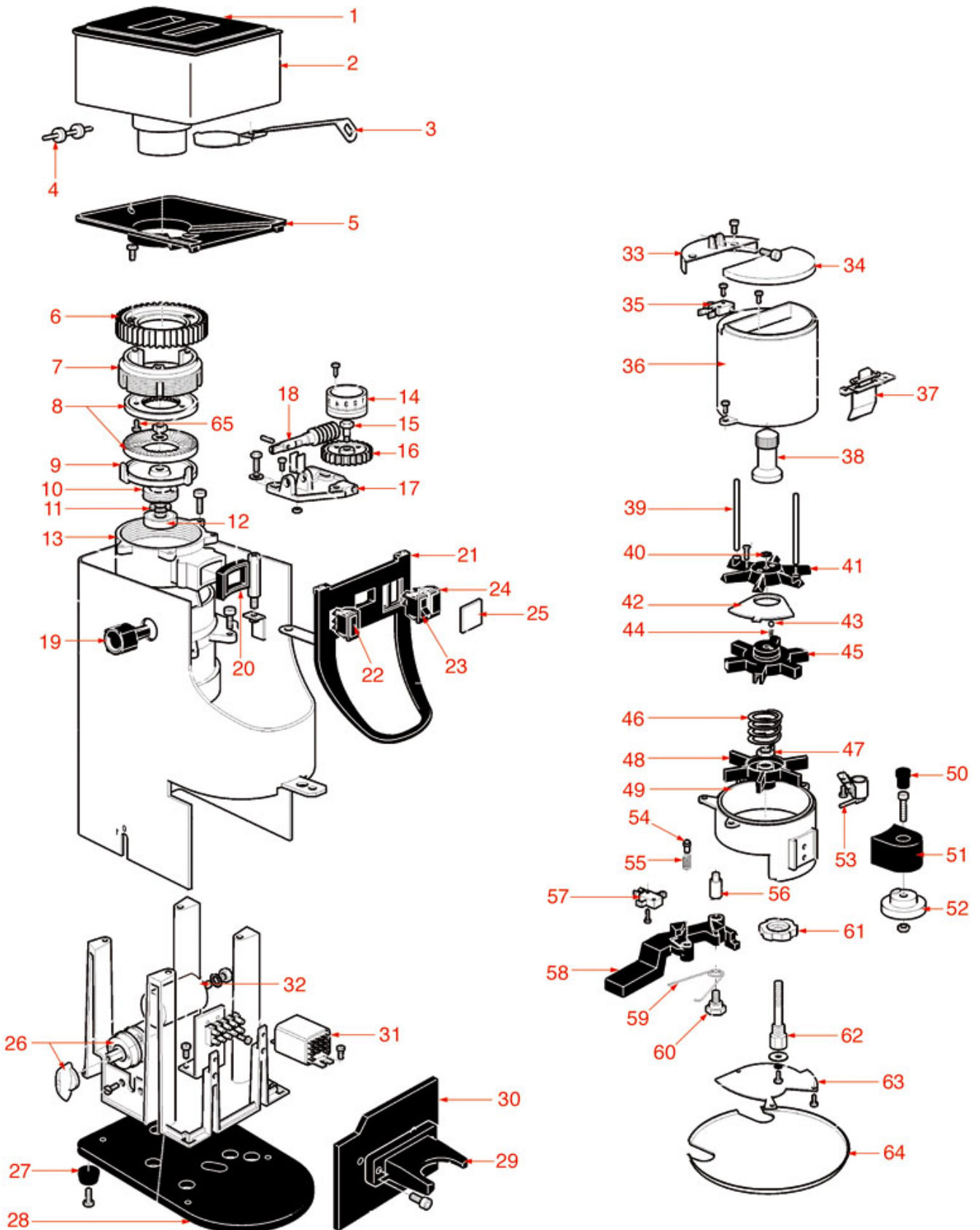
Suitable universal spare parts may not be included





GRINDER ASSEMBLY MD85

MD85



GAIMC01

Positions without LF code no.: upon request



GAGGIA

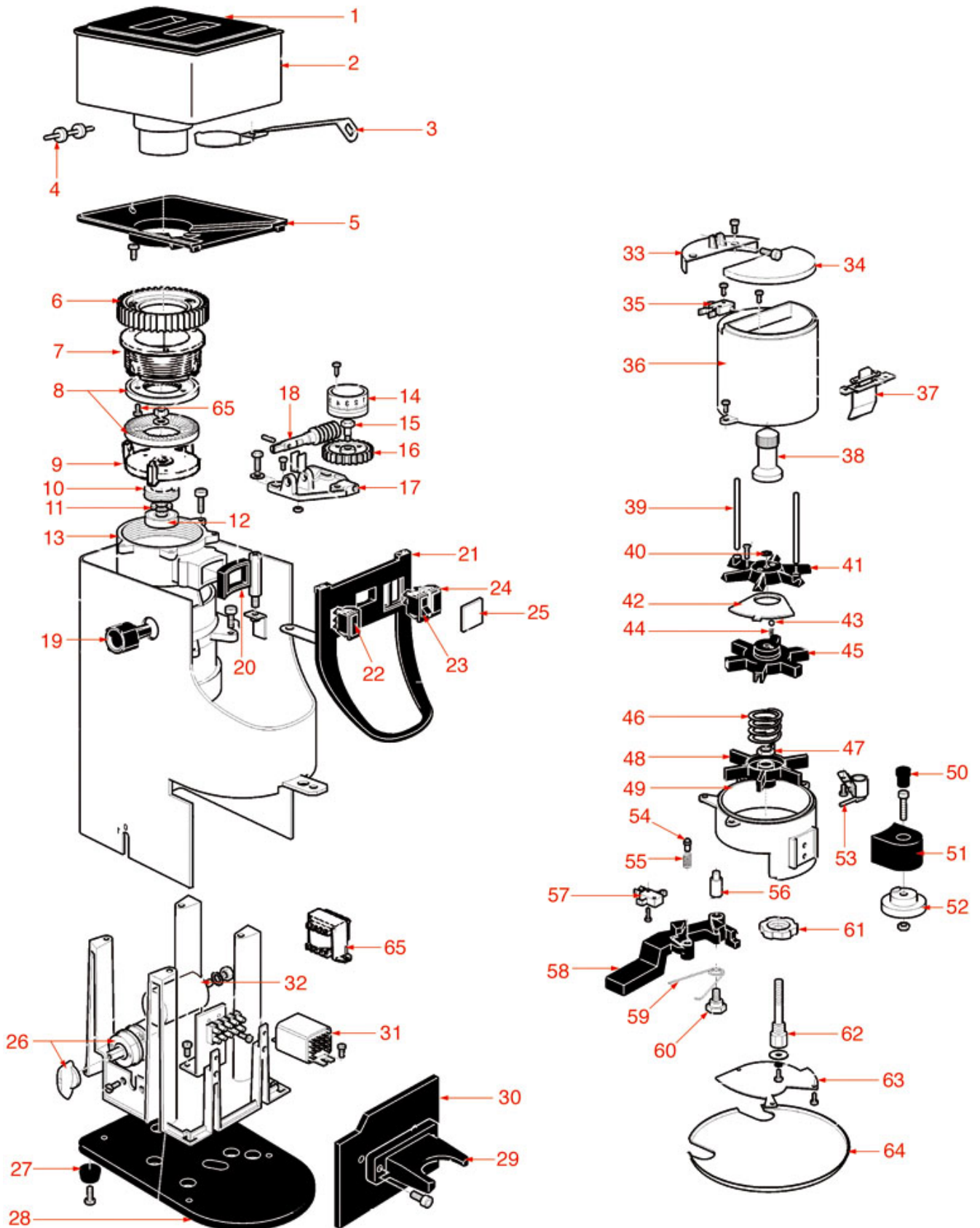


Position	LF code no.	Description
1	1080136	COFFEE HOPPER LID
8	1251007	GRINDING BURRS ARISTARCO-GAGGIA(PAIR) RH
20	1186997	GASKET FOR COFFEE OUTLET OPENING
26	1057027	SELECTOR SWITCH 0-1 POSITIONS 16A 400V
35	3240123	MICROSWITCH 16A 250V
41	1343078	TOP STAR
42	1343077	PLATE SCRAP SEPARATOR
45	1343075	CENTRAL STAR
46	1250259	STAR SPRING
56	1324125	LEVER GUIDE PIN
58	1225039	DISPENSER LEVER
59	1250258	DOSER LEVER RETURN SPRING
61	1225038	RATCHET 6 TEETH
65	1528001	SCREW M4x10 UNI 6109



GRINDER ASSEMBLY MD64

MD64



GAIMC02

Positions without LF code no.: upon request



GAGGIA

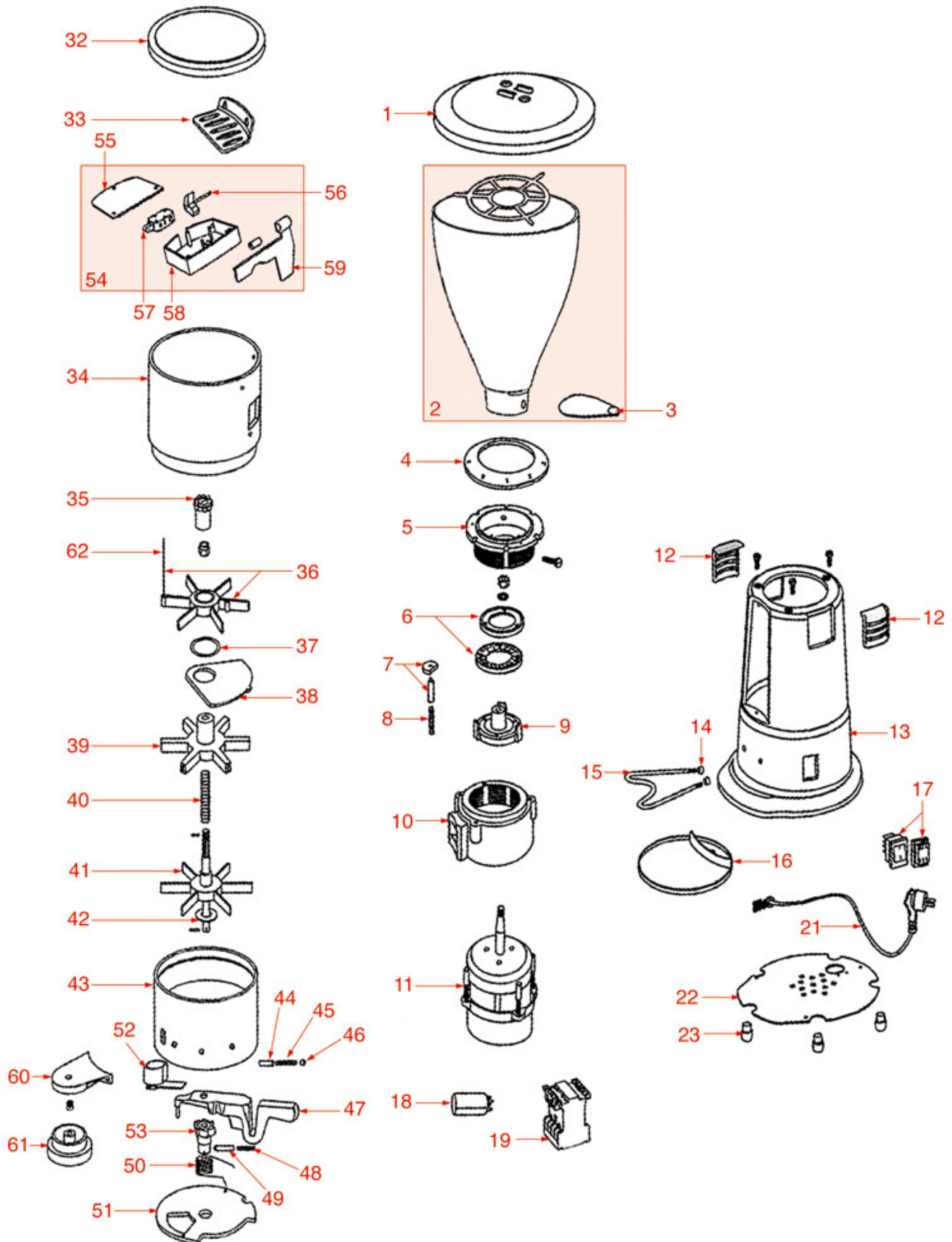


Position	LF code no.	Description
1	1080136	COFFEE HOPPER LID
20	1186997	GASKET FOR COFFEE OUTLET OPENING
35	3240123	MICROSWITCH 16A 250V
41	1343078	TOP STAR
42	1343077	PLATE SCRAP SEPARATOR
45	1343075	CENTRAL STAR
46	1250259	STAR SPRING
56	1324125	LEVER GUIDE PIN
58	1225039	DISPENSER LEVER
59	1250258	DOSER LEVER RETURN SPRING
61	1225038	RATCHET 6 TEETH
65	1528001	SCREW M4x10 UNI 6109



GRINDER ASSEMBLY MD58 COMPACT

MD58 COMPACT





GAGGIA

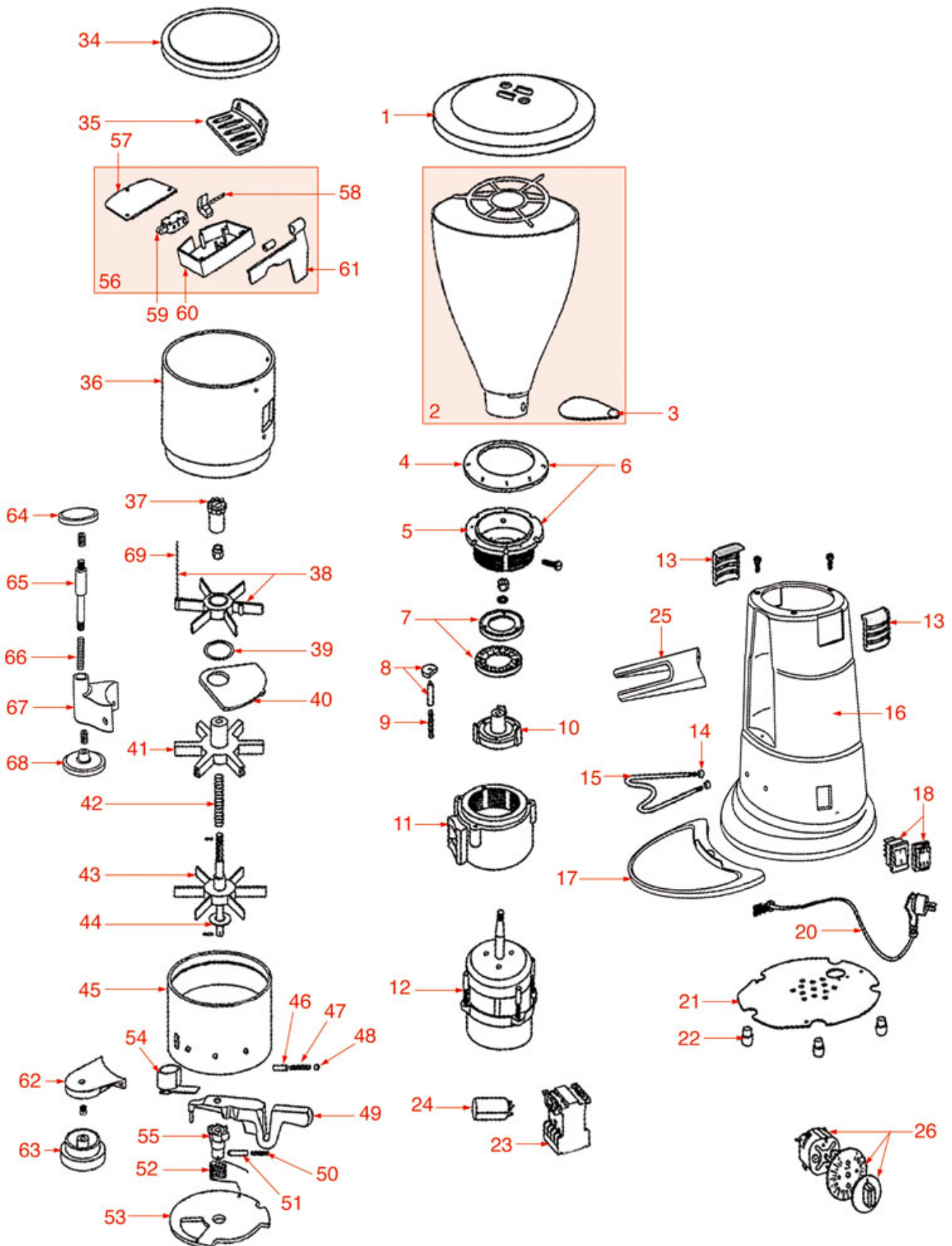


Position	LF code no.	Description
1	1252715	COFFEE HOPPER LID
2	1252716	COFFEE HOPPER
3	1080068	COFFEE CONTAINER CLOSING SHEET
4	1251306	BURRS HOLDER UPPER RING NUT M4-M5
6	1251308	GRINDING BURRS MACAP (PAIR) RIGHT
7	1252710	GRINDING BURRS LOCKING PIN
8	1250353	GRINDING BURRS LOCKING SPRING
9	1251309	GRINDING BURRS BOTTOM HOLDER
12	1252425	AIR INLET
15	1252714	FILTER HOLDER FORK
16	1252419	COFFEE COLLECTING TRAY \varnothing 138 mm
17	1319350	WHITE BIPOLAR SWITCH 16A 250V
17	3319012	GREEN BIPOLAR SWITCH 16A 250V
18	3068010	CAPACITOR μ F 6.3 450V 50/60Hz
19	3446556	CONTACTOR LOVATO BG0910A
23	1313008	COFFEE GRINDER HARD FOOT \varnothing 15 mm
32	1252700	DOSER LID \varnothing 130 mm
33	1252718	PROTECTION GRID
34	1090012	DOSER CYLINDER \varnothing 124x90 mm
34	1385203	DOSER CYLINDER \varnothing 125x90 mm
35	1241750	COFFEE ADJUSTER
36	1343300	COMPLETE STAR WITHOUT BOSS
37	1252702	DOSER BLADE RING
39	1343301	STAR WITH BOSS
40	1250350	DOSER BOSS SPRING
41	1343302	STAR WITH THREADED PIN
42	1343061	STAR WASHER \varnothing 35x8.5x0.5 mm
44	1252428	DOSER CASE PIN \varnothing 6x24 mm
46	1252421	PIN CAP \varnothing 6x6 mm
47	1252706	DOSER LEVER
48	1252707	DOSER LEVER SPRING \varnothing 4.5x24 mm
49	1252424	DOSER LEVER PIN \varnothing 5x17 mm
50	1250352	DOSER TORSION SPRING
51	1090014	DOSER BOTTOM LID
52	1252704	COUNTER FOR COFFEE GRINDER
53	1252705	DOSER PAWL
54	1240050	MICROSWITCH BOX ASSEMBLY
57	3240123	MICROSWITCH 16A 250V
59	1240051	DOSER FLAP
60	1385202	TAMPER HOLDER
61	1385200	TAMPER \varnothing 57 mm
61	1385201	TAMPER \varnothing 51.5 mm
62	1343060	PIN FR DOSER SCRAPER \varnothing 2x57 mm



GRINDER ASSEMBLY MD64 NEW

MD64 NEW



GAIMC04

Positions without LF code no.: upon request



GAGGIA

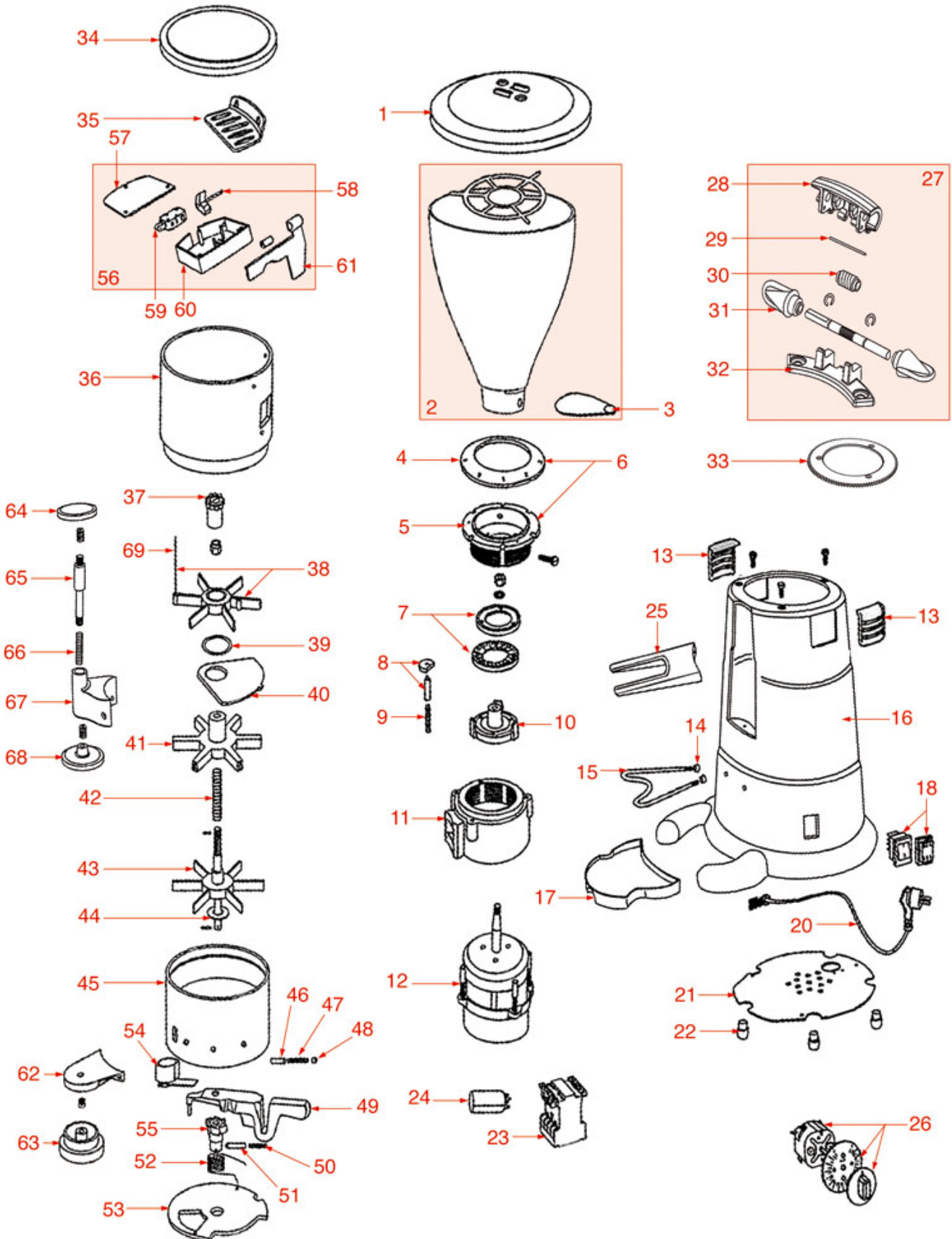


Position	LF code no.	Description
1	1252708	COFFEE HOPPER LID
2	1252709	COFFEE HOPPER
3	1080069	COFFEE CONTAINER CLOSING SHEET
6	1251303	GRINDING BURRS TOP HOLDER MX
7	1251304	GRINDING BURRS MACAP (PAIR) RIGHT
8	1252710	GRINDING BURRS LOCKING PIN
9	1250353	GRINDING BURRS LOCKING SPRING
10	1251305	GRINDING BURRS BOTTOM HOLDER MODEL MX
13	1252425	AIR INLET
15	1252714	FILTER HOLDER FORK
17	1252420	COFFEE COLLECTING TRAY
18	1319350	WHITE BIPOLAR SWITCH 16A 250V
18	3319012	GREEN BIPOLAR SWITCH 16A 250V
22	1313008	COFFEE GRINDER HARD FOOT \varnothing 15 mm
23	3446556	CONTACTOR LOVATO BG0910A
24	3068016	CAPACITOR μ F 10 450V 50/60Hz
24	3068024	CAPACITOR μ F 16 450V 50/60Hz
25	1162006	FILTER HOLDER FORK
26	1446300	TIMER 4 MINUTES M2
34	1252700	DOSER LID \varnothing 130 mm
35	1252718	PROTECTION GRID
36	1090013	DOSER CYLINDER \varnothing 124x113 mm
36	1252701	DOSER CYLINDER
37	1241750	COFFEE ADJUSTER
38	1343300	COMPLETE STAR WITHOUT BOSS
39	1252702	DOSER BLADE RING
41	1343301	STAR WITH BOSS
42	1250350	DOSER BOSS SPRING
43	1343302	STAR WITH THREADED PIN
44	1343061	STAR WASHER \varnothing 35x8.5x0.5 mm
46	1252428	DOSER CASE PIN \varnothing 6x24 mm
48	1252421	PIN CAP \varnothing 6x6 mm
49	1252706	DOSER LEVER
50	1252707	DOSER LEVER SPRING \varnothing 4.5x24 mm
51	1252424	DOSER LEVER PIN \varnothing 5x17 mm
52	1250352	DOSER TORSION SPRING
53	1090014	DOSER BOTTOM LID
54	1252704	COUNTER FOR COFFEE GRINDER
55	1252705	DOSER PAWL
56	1252719	AUTOMATIC MICROSWITCH BOX
59	3240123	MICROSWITCH 16A 250V
61	1240049	DOSER FLAP
62	1385202	TAMPER HOLDER
63	1385200	TAMPER \varnothing 57 mm
63	1385201	TAMPER \varnothing 51.5 mm
66	1250146	COFFEE TAMPER SPING \varnothing 10x65 mm
68	1385015	COFFEE TAMPER \varnothing 57 mm
69	1343060	PIN FR DOSER SCRAPER \varnothing 2x57 mm



GRINDER ASSEMBLY MD75

MD75



GAIMC05



GAGGIA



Position	LF code no.	Description
1	1252708	COFFEE HOPPER LID
2	1252709	COFFEE HOPPER
3	1080069	COFFEE CONTAINER CLOSING SHEET
7	1251310	GRINDING BURRS MACAP (PAIR) RIGHT
8	1252710	GRINDING BURRS LOCKING PIN
9	1250353	GRINDING BURRS LOCKING SPRING
13	1252425	AIR INLET
15	1252714	FILTER HOLDER FORK
17	1252418	COFFEE COLLECTING TRAY
18	1319350	WHITE BIPOLAR SWITCH 16A 250V
18	3319012	GREEN BIPOLAR SWITCH 16A 250V
22	1313007	COFFEE GRINDER SOFT FOOT \varnothing 15 mm
23	3446556	CONTACTOR LOVATO BG0910A
24	3068027	CAPACITOR μ F 20 450V 50/60Hz
25	1162007	FILTER HOLDER FORK
26	1446300	TIMER 4 MINUTES M2
27	1252426	COMPLETE MICROMETRIC ADJUSTER
33	1252422	ADJUSTMENT TOOTHED RING NUT \varnothing 106 mm
33	1252423	ADJUSTMENT TOOTHED RING NUT \varnothing 114 mm
33	1252427	ADJUSTMENT TOOTHED RING NUT \varnothing 98 mm
34	1252700	DOSER LID \varnothing 130 mm
35	1252718	PROTECTION GRID
36	1090013	DOSER CYLINDER \varnothing 124x113 mm
36	1252701	DOSER CYLINDER
37	1241750	COFFEE ADJUSTER
38	1343300	COMPLETE STAR WITHOUT BOSS
39	1252702	DOSER BLADE RING
41	1343301	STAR WITH BOSS
42	1250350	DOSER BOSS SPRING
43	1343302	STAR WITH THREADED PIN
44	1343061	STAR WASHER \varnothing 35x8.5x0.5 mm
46	1252428	DOSER CASE PIN \varnothing 6x24 mm
48	1252421	PIN CAP \varnothing 6x6 mm
49	1252706	DOSER LEVER
50	1252707	DOSER LEVER SPRING \varnothing 4.5x24 mm
51	1252424	DOSER LEVER PIN \varnothing 5x17 mm
52	1250352	DOSER TORSION SPRING
53	1090014	DOSER BOTTOM LID
54	1252704	COUNTER FOR COFFEE GRINDER
55	1252705	DOSER PAWL
56	1252719	AUTOMATIC MICROSWITCH BOX
59	3240123	MICROSWITCH 16A 250V
61	1240049	DOSER FLAP
62	1385202	TAMPER HOLDER
63	1385200	TAMPER \varnothing 57 mm
63	1385201	TAMPER \varnothing 51.5 mm
66	1250146	COFFEE TAMPER SPING \varnothing 10x65 mm
68	1385015	COFFEE TAMPER \varnothing 57 mm
69	1343060	PIN FR DOSER SCRAPER \varnothing 2x57 mm



Suitable for:

GAGGIA



Suitable for:

Accident prevention devices-protections

1252718 PROTECTION GRID



GAGGIA 4931C0007M110

Adjustment rings for coffee grinder

1252422 ADJUSTMENT TOOTHED RING NUT \varnothing 106 mm
for Coffee grinder (MACAP) MC6 - MC6T
for Grinder-dispenser (MACAP) MX - MXA - MXA900
MXK - MXKA - MXKT - MXT - MXT900 - MX900



GAGGIA 4931C0007M162A

1252423 ADJUSTMENT TOOTHED RING NUT \varnothing 114 mm
for Coffee grinder (MACAP) MC7 - MC7T
for Grinder-dispenser (MACAP) M7 - M7A - M7A900
M7K - M7KA - M7KT - M7T - M7T900 - M7900



GAGGIA 4931C0007M163A

1252427 ADJUSTMENT TOOTHED RING NUT \varnothing 98 mm
for Coffee grinder (MACAP) MC4 - MC4T - MC5 - MC5T
for Grinder-dispenser (MACAP) M4 - M4A - M4D - M4T
M5 - M5A - M5D - M5T



GAGGIA 4931C0007M158A

Bodies

1252425 AIR INLET



GAGGIA 4931C0007M141

1251306 BURRS HOLDER UPPER RING NUT M4-M5
for Coffee grinder (MACAP) MC4 - MC4T - MC5 - MC5T
for Grinder-dispenser (GAGGIA) MD58COMPACT
for Grinder-dispenser (MACAP) DIGITALEM4D
DIGITALEM5D - M4 - M4A - M4T - M5 - M5A - M5T
for Grinder-dispenser (SPAZIALE) ASTRO12
ASTRO12/A - ASTRO8 - ASTRO8/A - TOP



GAGGIA 4931C0007M158



Capacitors

3068016 CAPACITOR μF 10 450V 50/60Hz
operating temperature $-25+85^{\circ}\text{C}$
in compliance with EEC 93/68 and 92/31 regulations



GAGGIA 4931C00061107

3068024 CAPACITOR μF 16 450V 50/60Hz
operating temperature $-25+85^{\circ}\text{C}$
in compliance with EEC 93/68 and 92/31 regulations



GAGGIA 4931C00061108

3068027 CAPACITOR μF 20 450V 50/60Hz
operating temperature $-25+85^{\circ}\text{C}$
in compliance with EEC 93/68 and 92/31 regulations



GAGGIA 4931C00061128

3068010 CAPACITOR μF 6.3 450V 50/60Hz
operating temperature $-25+85^{\circ}\text{C}$
in compliance with EEC 93/68 and EEC 92/31 regulat



GAGGIA 4931C00061126

3068014 CAPACITOR μF 8 450V 50/60Hz
operating temperature $-25+85^{\circ}\text{C}$
in compliance with EEC 93/68 and 92/31 regulations



GAGGIA DM1696/001

Coffee measuring spoons

1069001 PLASTIC MEASURING SPOON 20 ml



GAGGIA WGADM1017

1069002 STAINLESS STEEL MEASURING SPOON 20 ml



GAGGIA



Suitable for:

GAGGIA



Suitable for:

Containers for coffee

1080068 COFFEE CONTAINER CLOSING SHEET

for Coffee grinder (MACAP) MC4 - MC4T - MC5 - MC5T
for Grinder-dispenser (GAGGIA) MD58COMPACT
for Grinder-dispenser (MACAP) M4 - M4A - M4D - M4T
M5 - M5A - M5D - M5T



GAGGIA

1080069 COFFEE CONTAINER CLOSING SHEET

for Coffee grinder (MACAP) MC6 - MC6T - MC7 - MC7T
for Grinder-dispenser (GAGGIA) MD64NEW - MD75
for Grinder-dispenser (MACAP) MX - MXA - MXA900
MXK - MXKA - MXKT - MXT - MXT900 - MX900 - M7
M7A - M7A900 - M7K - M7KA - M7KT - M7T
M7T900 - M7900



GAGGIA 4931C0007M101C

1252709 COFFEE HOPPER

for Coffee grinder (MACAP) MC6 - MC6T - MC7 - MC7T
for Grinder-dispenser (ELEKTRA) MX - MXA - MXP
MXPC
for Grinder-dispenser (GAGGIA) MD64NEW - MD75
for Grinder-dispenser (MACAP) MX - MXA - MXA900
MXK - MXKA - MXKT - MXT - MXT900 - MX900 - M7
M7A - M7A900 - M7K - M7KA - M7KT - M7T
M7T900 - M7900
for Grinder-dispenser (SPAZIALE) MX - MXA - MXT
M900 - M900A - M900T



GAGGIA 4931C0007M113

1252716 COFFEE HOPPER

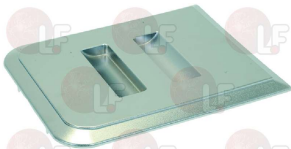
for Coffee grinder (MACAP) MC4 - MC4T - MC5 - MC5T
for Grinder-dispenser (GAGGIA) MD58COMPACT
for Grinder-dispenser (MACAP) M5 - M5A - M5T
for Grinder-dispenser (SPAZIALE) TOP



GAGGIA 4931C0007M157

1080136 COFFEE HOPPER LID

for Grinder-dispenser (GAGGIA) MD64 - MD85
for Grinder-dispenser (SAECO) MS64 - MS85



GAGGIA MDB0226

1252708 COFFEE HOPPER LID

for Coffee grinder (MACAP) MC6 - MC6T - MC7 - MC7T
for Grinder-dispenser (GAGGIA) MD64NEW - MD75
for Grinder-dispenser (MACAP) MX - MXA - MXA900
MXK - MXKA - MXKT - MXT - MXT900 - MX900 - M7
M7A - M7A900 - M7K - M7KA - M7KT - M7T
M7T900 - M7900
for Grinder-dispenser (SPAZIALE) MX - MXA - MXT
M900 - M900A - M900T



GAGGIA 4931C0007M114

1252715 COFFEE HOPPER LID

for Coffee grinder (MACAP) MC4 - MC4T - MC5 - MC5T
 for Grinder-dispenser (GAGGIA) MD58COMPACT
 for Grinder-dispenser (MACAP) M4 - M4A - M4T - M5
 M5A - M5T
 for Grinder-dispenser (SPAZIALE) TOP



GAGGIA 4931C0007M156

Counters

1252704 COUNTER FOR COFFEE GRINDER

for Grinder-dispenser (ELEKTRA) MX - MXA - MXP
 MXPC
 for Grinder-dispenser (GAGGIA) MD58COMPACT
 MD64NEW - MD75
 for Grinder-dispenser (MACAP) MX - MXA - MXA900
 MXK - MXKA - MXKT - MXT - MXT900 - MX900 - M4
 M4A - M4T - M5 - M5A - M5T - M7 - M7A - M7A900
 M7K - M7KA - M7KT - M7T - M7T900 - M7900
 for Grinder-dispenser (SPAZIALE) ASTRO12
 ASTRO12/A - ASTRO8 - ASTRO8/A - ASTRO8/CA - MX
 MXA - MXT - M900 - M900A - M900T



GAGGIA 4931C0009M102

Dosers for coffee

1090014 DOSER BOTTOM LID



GAGGIA 4931C0007M138

1252701 DOSER CYLINDER

for Coffee grinder (MACAP) MXA90
 for Coffee grinder (SPAZIALE) ASTRO 12 - ASTRO 8
 12/A - 8/A
 for Grinder-dispenser (ELEKTRA) MX - MXA
 for Grinder-dispenser (GAGGIA) MD64NEW - MD75
 for Grinder-dispenser (MACAP) MX - MXA - MXK
 MXKA - MXKT - MXT - MXT900 - MX900 - M7 - M7A
 M7A90 - M7K - M7KA - M7KT - M7T - M7T900
 M7900
 for Grinder-dispenser (SPAZIALE) MX - MXA - MXT
 M900 - M900A - M900T



GAGGIA 4931C0007M106



Suitable for:

GAGGIA



1090013 DOSER CYLINDER ø 124x113 mm

for MACAP
 MX-MXT-MXA-MXK-MXKT-MXKA-M7-M7T-M7A-M7K
 M7KT-M7KA-M7900-M7T900-M7A900-MX900-MXT900-MXA900
 for SPAZIALE MX-MXT-MXA-M900-M900T-M900A
 ASTRO 8/CA-ASTRO 8-8/A-ASTRO 12-12/A
 for GAGGIA MD64 NEW-MD75
 for Grinder-dispenser (GAGGIA) MD64 - MD75
 for Grinder-dispenser (MACAP) MX - MXA - MXA900
 MXK - MXKA - MXKT - MXT - MXT900 - MX900 - M7
 M7A - M7A900 - M7K - M7KA - M7KT - M7T
 M7T900 - M7900
 for Grinder-dispenser (SPAZIALE) MX - MXA - MXT
 M900 - M900A - M900T



GAGGIA 4931C0007M1062

1090012 DOSER CYLINDER ø 124x90 mm

for Grinder-dispenser (GAGGIA) MD58COMPACT
 for Grinder-dispenser (MACAP) M4 - M4A - M4T - M5
 M5A - M5T



GAGGIA 4931C0007M1591

1385203 DOSER CYLINDER ø 125x90 mm

for Grinder-dispenser (GAGGIA) MD58COMPACT
 for Grinder-dispenser (MACAP) M4 - M4A - M4T - M5
 M5A - M5T
 for Grinder-dispenser (SPAZIALE) TOP



GAGGIA 4931C0007M159

1252700 DOSER LID ø 130 mm

for Coffee grinder (MACAP) MXA90
 for Grinder-dispenser (ELEKTRA) MX - MXA - MXP
 MXPC
 for Grinder-dispenser (GAGGIA) MD58COMPACT
 MD64NEW - MD75
 for Grinder-dispenser (MACAP) MX - MXA - MXK
 MXKA - MXKT - MXT - MXT900 - MX900 - M4 - M4A
 M4T - M5 - M5A - M5T - M7 - M7A - M7A90 - M7K
 M7KA - M7KT - M7T - M7T900 - M7900
 for Grinder-dispenser (SPAZIALE) MX - MXA - MXT
 M900 - M900A - M900T - TOP



GAGGIA 4931C0007M105

1343060 PIN FR DOSER SCRAPER ø 2x57 mm



GAGGIA 4931C0004M107



Feet

1313008 COFFEE GRINDER HARD FOOT \varnothing 15 mm
 for Coffee grinder (MACAP) MC4 - MC4T - MC5 - MC5T
 MC6 - MC6T
 for Grinder-dispenser (GAGGIA) MD58COMPACT
 MD64NEW
 for Grinder-dispenser (MACAP) MX - MXA - MXA900
 MXK - MXKA - MXKT - MXT - MXT900 - MX900 - M4
 M4A - M4T - M5 - M5A - M5T
 for Grinder-dispenser (SPAZIALE) ASTRO12
 ASTRO12/A - ASTRO8 - ASTRO8/A - ASTRO8/CA - MX
 MXA - MXT - M900 - M900A - M900T - TOP



GAGGIA 4931C0071614

1313007 COFFEE GRINDER SOFT FOOT \varnothing 15 mm
 for Coffee grinder (MACAP) MC7 - MC7T
 for Grinder-dispenser (GAGGIA) MD75
 for Grinder-dispenser (MACAP) M4D - M5D - M7 - M7A
 M7A900 - M7K - M7KA - M7KT - M7T - M7T900
 M7900



GAGGIA 4931C000716140

Forks for portafilter coffee grinder

1162006 FILTER HOLDER FORK
 for Grinder-dispenser (GAGGIA) MD64NEW
 for Grinder-dispenser (MACAP) MX - MXA - MXA900
 MXK - MXKA - MXKT - MXT - MXT900 - MX900
 for Grinder-dispenser (SPAZIALE) MX - MXA - MXT



GAGGIA 4931C0001M114

1162007 FILTER HOLDER FORK
 for Grinder-dispenser (GAGGIA) MD75
 for Grinder-dispenser (MACAP) M7 - M7A - M7A900
 M7K - M7KA - M7KT - M7T - M7T900 - M7900
 for Grinder-dispenser (SPAZIALE) M900 - M900A
 M900T



GAGGIA 4931C0001M710

1252714 FILTER HOLDER FORK
 for Grinder-dispenser (GAGGIA) MD58COMPACT
 MD64NEW - MD75
 for Grinder-dispenser (MACAP) MX - MXA - MXA900
 MXK - MXKA - MXKT - MXT - MXT900 - MX900 - M4
 M4A - M4T - M5 - M5A - M5T - M7 - M7A - M7A900
 M7K - M7KA - M7KT - M7T - M7T900 - M7900
 for Grinder-dispenser (SPAZIALE) MX - MXA - MXT
 M900 - M900A - M900T - TOP



GAGGIA 4931C0004M109



Suitable for:

GAGGIA



Suitable for:

Gaskets and seals

- 1186997 GASKET FOR COFFEE OUTLET OPENING**
 for Grinder-dispenser (GAGGIA) MD64 - MD85
 for Grinder-dispenser (SAECO) MS64 - MS85



GAGGIA

Grinders

- 1251146 CERAMIC GRINDING BURRS SAECO (PAIR) LEFT**
 external \varnothing 48 mm - internal \varnothing 28 mm
 thickness 6.5 mm



GAGGIA 146520100

- 1251098 CONIC.GRIND.BURRS SAECO-GAGGIA (PAIR) RH**
 external \varnothing 47.8/31.7 mm - internal \varnothing 28/10 mm
 thickness 20 mm



GAGGIA 226477700

- 1251006 GRINDING BURRS ARISTARCO-GAGGIA(PAIR) RH**
 external \varnothing 58 mm - internal \varnothing 34 mm
 thickness 8 mm - 3 mounting holes



GAGGIA

- 1251007 GRINDING BURRS ARISTARCO-GAGGIA(PAIR) RH**
 external \varnothing 84 mm - internal \varnothing 45 mm
 thickness 9 mm - 3 mounting holes
 for Grinder-dispenser (ARISTARCO) EMA80
 for Grinder-dispenser (GAGGIA) MD85
 for Grinder-dispenser (SAECO) MS85



GAGGIA MDB0248

- 1251014 GRINDING BURRS ARISTARCO-GAGGIA(PAIR) RH**
 external \varnothing 74 mm - internal \varnothing 42.5 mm
 thickness 9 mm - 3 fixing holes
 for Grinder-dispenser (ARISTARCO) EMA80



GAGGIA

- 1251304 GRINDING BURRS MACAP (PAIR) RIGHT**
 external \varnothing 65 mm - internal \varnothing 38 mm
 thickness 8.5 mm - 3 fixing holes
 for Coffee grinder (MACAP) MC6 - MC6T
 for Grinder-dispenser (ELEKTRA) MX - MXA
 for Grinder-dispenser (GAGGIA) MD64NEW
 for Grinder-dispenser (MACAP) MX - MXA - MXT
 for Grinder-dispenser (SPAZIALE) ASTRO12
 ASTRO12/A - ASTRO8 - ASTRO8/A - MX - MXA - MXT



GAGGIA 4931C0004M122

Suitable for:

1251308 GRINDING BURRS MACAP (PAIR) RIGHT
 external \varnothing 58 mm - internal \varnothing 34 mm
 thickness 8.5 mm - 3 fixing holes
 for Coffee grinder (MACAP) MC4 - MC4T - MC5 - MC5T
 for Grinder-dispenser (MACAP) MD58COMPACT - M4
 M4A - M4T - M5 - M5A - M5T



GAGGIA 4931C0004M135

Suitable for:

1251310 GRINDING BURRS MACAP (PAIR) RIGHT
 external \varnothing 74 mm - internal \varnothing 42 mm
 thickness 9 mm - 3 fixing holes
 for Coffee grinder (ELEKTRA) MC7 - MC7T
 for Grinder-dispenser (ELEKTRA) MXP - MXPC - M7
 M7A - M7T
 for Grinder-dispenser (GAGGIA) MD75



GAGGIA 4931C0004M121

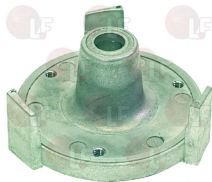
1251173 GRINDING BURRS PAIR SAECO/GAGGIA RH
 external \varnothing 64 mm - internal \varnothing 37 mm
 thickness 8.5 mm - 3 fixing holes



GAGGIA 9141.072

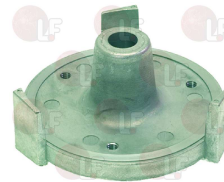
Grinding burr holders

1251309 GRINDING BURRS BOTTOM HOLDER
 for Coffee grinder (MACAP) MC4 - MC4T - MC5 - MC5T
 for Grinder-dispenser (GAGGIA) MD58COMPACT
 for Grinder-dispenser (MACAP) M4 - M4A - M4T - M5
 M5A - M5T
 for Grinder-dispenser (SPAZIALE) TOP



GAGGIA 4931C0002M108

1251305 GRINDING BURRS BOTTOM HOLDER MODEL MX
 for Coffee grinder (MACAP) MC6 - MC6T
 for Grinder-dispenser (ELEKTRA) MX - MXA
 for Grinder-dispenser (GAGGIA) MD64NEW
 for Grinder-dispenser (MACAP) MX - MXA - MXT
 for Grinder-dispenser (SPAZIALE) ASTRO12
 ASTRO12/A - ASTRO8 - ASTRO8/A - MX - MXA - MXT



GAGGIA 4931C0002M104

1251303 GRINDING BURRS TOP HOLDER MX
 new model
 for Coffee grinder (MACAP) MC6 - MC6T
 for Grinder-dispenser (ELEKTRA) MX - MXA
 for Grinder-dispenser (GAGGIA) MD64NEW
 for Grinder-dispenser (MACAP) MX - MXA - MXT
 for Grinder-dispenser (SPAZIALE) MX - MXA - MXT



GAGGIA 4931C0002M101



Suitable for:

GAGGIA



Suitable for:

Ironmongery (screws,nuts,washers)

3528003 BRASS NUT M4 - 100 PIECES



GAGGIA S402004

1528100 CROSS HEAD SCREW M4x12 UNI 7687



GAGGIA WGADI7986-4X10I

1252702 DOSER BLADE RING



GAGGIA 4931C0004M110

1528621 NUT M8x1



GAGGIA WGAUN5587-8Z

1528622 S/S SCREW T.E. M8x16 UNI 5739 DIN 24017



GAGGIA UN5931-8X16Z

GAGGIA WGADI6921-8X16Z

1348814 S/STEEL COGGED WASHER M4 UNI 8842



GAGGIA S401005

1528501 S/STEEL CROSS SCREW M5x12 mm UNI 7689



GAGGIA DI7987-5X8I

1184012 S/STEEL SCREW T.C.C.E.I. M5x10 UNI 5931



GAGGIA S403210

GAGGIA UN5931-5X12I

GAGGIA UN5931-5X12IF

GAGGIA UN5931-5X12Z

1528001 SCREW M4x10 UNI 6109



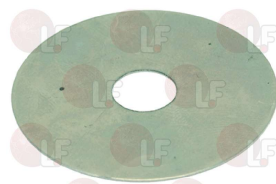
GAGGIA UNi6107-4X10I

3060054 ST.STEEL HEXAGONAL NORM.NUT M10 UNI 5588



GAGGIA U302.006

1343061 STAR WASHER ø 35x8.5x0.5 mm



GAGGIA 4931C0004M120



Knobs

1241542 BLACK KNOB FOR CONVERTER
square hole 5x5 mm



GAGGIA 12000822

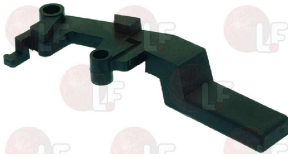
1241750 COFFEE ADJUSTER



GAGGIA 4931C0007M123

Levers

1225039 DISPENSER LEVER
for Grinder-dispenser (GAGGIA) MD64 - MD85
for Grinder-dispenser (SAECO) MS64 - MS85



GAGGIA MDB0346

1252706 DOSER LEVER
for Grinder-dispenser (ELEKTRA) MX - MXA - MXP
MXPC
for Grinder-dispenser (GAGGIA) MD58COMPACT
MD64NEW - MD75
for Grinder-dispenser (MACAP) MX - MXA - MXA900
MXK - MXKA - MXKT - MXT - MXT900 - MX900 - M4
M4A - M4T - M5 - M5A - M5T - M7 - M7A - M7A90
M7K - M7KA - M7KT - M7T - M7T900 - M7900
for Grinder-dispenser (SPAZIALE) ASTRO12
ASTRO12/A - ASTRO8 - ASTRO8/A - ASTRO8/CA - MX
MXA - MXT - M900 - M900A - M900T - TOP



GAGGIA 4931C0002M103

Microswitches

1252719 AUTOMATIC MICROSWITCH BOX
for Grinder-dispenser (ELEKTRA) MX - MXA - MXP
MXPC
for Grinder-dispenser (GAGGIA) MD64NEW - MD75
for Grinder-dispenser (MACAP) MX - MXA - MXA900
MXK - MXKA - MXKT - MXT - MXT900 - MX900 - M7
M7A - M7A900 - M7K - M7KA - M7KT - M7T
M7T900 - M7900
for Grinder-dispenser (SPAZIALE) ASTRO12
ASTRO12/A - ASTRO8 - ASTRO8/A - ASTRO8/CA - MX
MXA - MXT - M900 - M900A - M900T



GAGGIA 4931C0007M139A

1240049 DOSER FLAP



GAGGIA 4931C0007M150



Suitable for:

1240051 DOSER FLAP



GAGGIA 4931C0007M150A

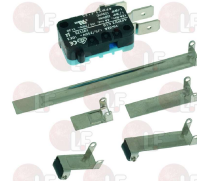
GAGGIA



Suitable for:

3240407 MECHANICAL MICROSWITCH KIT 16A 250V

3 locking positions
the kit includes 5 levers:
lever 75 mm - lever 27 mm - lever 15 mm
lever 15 mm with wheels - lever 27 mm with wheels



GAGGIA DMA151

1240050 MICROSWITCH BOX ASSEMBLY
for Grinder-dispenser (GAGGIA) MD58COMPACT
for Grinder-dispenser (MACAP) M4 - M4A - M4T - M5
M5A - M5T



GAGGIA 4931C0007M139B

3240123 MICROSWITCH 16A 250V



GAGGIA DM0754

GAGGIA 4931C00061019

Pawls for coffee grinder dosers

1252705 DOSER PAWL



GAGGIA 4931C0002M106

1225038 RATCHET 6 TEETH



GAGGIA MDB0286

Pins

1252426 COMPLETE MICROMETRIC ADJUSTER



GAGGIA 4931C0007M11700

1252428 DOSER CASE PIN \varnothing 6x24 mm



GAGGIA 4931C0004M112

1252424 DOSER LEVER PIN \varnothing 5x17 mm



GAGGIA 4931C0004M111

1252710 GRINDING BURRS LOCKING PIN



GAGGIA 4931C0002M102

Suitable for:

1324125 LEVER GUIDE PIN



GAGGIA MDB0291

Suitable for:

1252421 PIN CAP \varnothing 6x6 mm



GAGGIA 4931C0001M138

Pull-through brushes

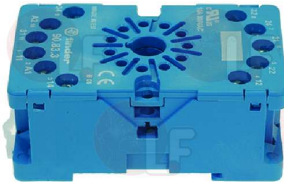
1384001 BRUSH FOR COFFEE SHOWER



GAGGIA WGA5001033000

Relays

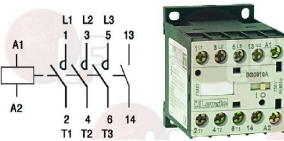
3351158 BASE UNDECAL ES11 10A 400V
11 poles



GAGGIA

Remote control switches

3446556 CONTACTOR LOVATO BG0910A
coil 9A 230V 50/60Hz 4Kw
3 normally open contacts
1 normally open auxiliary contact



GAGGIA 4931C00061002

Rotary switches

1057027 SELECTOR SWITCH 0-1 POSITIONS 16A 400V
square pin 5x5 mm
for Grinder-dispenser (GAGGIA) MD85
for Grinder-dispenser (SAECO) MS85



GAGGIA DM0755/001



Suitable for:

GAGGIA



Suitable for:

Springs

1250146 COFFEE TAMPER SPRING \varnothing 10x65 mm
 for FIORENZATO CS DOGE63-DOGE83
 for GAGGIA MD64 NEW-MD75
 for MACAP
 MX-MXT-MXA-MX900-MXT900-MXA90-M7-M7T-M7A
 M7900-M7T900-M7A90-MXK-MXKT-MXKA-M7K-M7KT-M7KA
 for SPAZIALE MX-MXT-MXA-ASTRO 8/CA-ASTRO 8-8/A
 ASTRO 12-12/A-M900-M900T-M900A

1250350 DOSER BOSS SPRING



GAGGIA 4931C0008M111



GAGGIA 4931C0008M108

1250258 DOSER LEVER RETURN SPRING

1252707 DOSER LEVER SPRING \varnothing 4.5x24 mm



GAGGIA MDB0292



GAGGIA 4931C0008M110

1250352 DOSER TORSION SPRING

1250353 GRINDING BURRS LOCKING SPRING



GAGGIA 4931C0008M102



GAGGIA 4931C0008M109

1250259 STAR SPRING



GAGGIA MDB0256

Stars and spare parts

1343075 CENTRAL STAR
 for Grinder-dispenser (GAGGIA) MS64 - MS85
 for Grinder-dispenser (SAECO) MS64 - MS85

1343300 COMPLETE STAR WITHOUT BOSS



GAGGIA MDB0208



GAGGIA 4931C0002M124

Suitable for:

1343077 PLATE SCRAP SEPARATOR



GAGGIA MDB0240

Suitable for:

1343301 STAR WITH BOSS



GAGGIA 4931C0002M1241

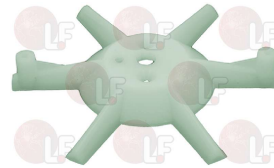
1343302 STAR WITH THREADED PIN



GAGGIA 4931C0002M1242

1343078 TOP STAR

for Grinder-dispenser (GAGGIA) MD64 - MD85
for Grinder-dispenser (SAECO) MD64 - MD85



GAGGIA MDB0215

Switches

3319012 GREEN BIPOLAR SWITCH 16A 250V
with indicator light and switch cover
screen printing 0 - I
max temperature 120°C
mounting hole 22x30 mm



GAGGIA 4931C00061001

3319934 ORANGE BIPOLAR SWITCH 16A 250V
with indicator lamp
0-1 silk-screen printing
max temperature 120°C
mounting hole 22x30 mm



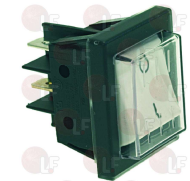
GAGGIA

3319016 RED BIPOLAR SWITCH 16A 250V
with indicator lamp
silk-screen print 0 - I
max temperature 120°C
mounting hole 22x30 mm



GAGGIA 5008002000

1319350 WHITE BIPOLAR SWITCH 16A 250V
with push-button cover
0-I silk-screen printing
mounting hole 22x30 mm



GAGGIA 4931C00061021

3319157 YELLOW MOMENTARY SWITCH 250V
with indicator lamp
mounting hole 22x30 mm



GAGGIA



Suitable for:

GAGGIA



Suitable for:

Tampers for coffee

1385015 COFFEE TAMPER ø 57 mm

for Grinder-dispenser (GAGGIA) MD64NEW
for Grinder-dispenser (MACAP) MX - MXA - MXA900
MXK - MXKA - MXKT - MXT - MXT900 - MX900 - M7
M7A - M7A900 - M7K - M7KA - M7KT - M7T - M7900
for Grinder-dispenser (SPAZIALE) MX - MXA - MXT
M900 - M900A - M900T



GAGGIA 4931C0007M135

1439805 COFFEE TAMPER CAP ø 52 mm



GAGGIA

1385002 NYLON COFFEE TAMPER ø 50/57 mm



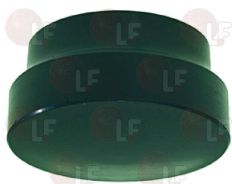
GAGGIA WGA2PR/1

1385000 NYLON TAMPER ø 50/52 mm



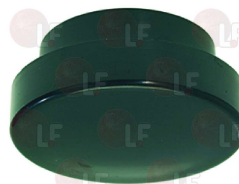
GAGGIA 2PR/1

1385201 TAMPER ø 51.5 mm



GAGGIA 4931C0007M102B

1385200 TAMPER ø 57 mm



GAGGIA 4931C0007M102A

1385202 TAMPER HOLDER new model



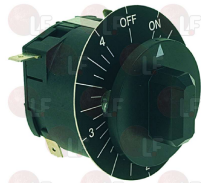
GAGGIA 4931C0007M1071



Timers

1446300 TIMER 4 MINUTES M2

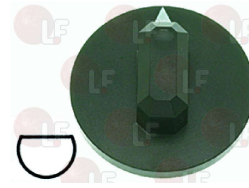
manually set mechanical timer
 manually set cycle 4 minutes
 contact capacity 16(4)A 250V
 max temperature 125°C
 D-shaped pin ø 6x4.6 mm
 complete with silkscreen printed plate and knob
 for MACAP
 M4-M4T-M4A-M5-M5T-M5A-MX-MXT-MXA-MX900
 MXT900-MXA90-M7-M7T-M7A-M7900-M7T900-M7A90-MXK
 MXKT-MXKA-M7K-M7KT-M7KA-MC4-MC4T-MC5-MC5T-MC6-MC6T
 MC7-MC7T
 for SPAZIALE MX-MXT-MXA-M900-M900T-M900A
 for GAGGIA MD64 NEW-MD75



GAGGIA 4931C00061004

3241174

BLACK KNOB ø 44 mm
 D shaft hole 6x4.6 mm



Trays

1252418 COFFEE COLLECTING TRAY

for Coffee grinder (MACAP) MC7 - MC7T
 for Grinder-dispenser (GAGGIA) MD75
 for Grinder-dispenser (MACAP) M7 - M7A - M7A900
 M7K - M7KA - M7KT - M7T - M7T900 - M7900
 for Grinder-dispenser (SPAZIALE) M900 - M900A
 M900T



GAGGIA 4931C0007M7041

1252420

COFFEE COLLECTING TRAY

for Coffee grinder (MACAP) MC6 - MC6T
 for Grinder-dispenser (ELEKTRA) MXP - MXPC
 for Grinder-dispenser (GAGGIA) MD64NEW
 for Grinder-dispenser (MACAP) MX - MXA - MXA900
 MXK - MXKA - MXT - MXT900 - MX900
 for Grinder-dispenser (SPAZIALE) MX - MXA - MXT



GAGGIA 4931C0007M1031

1252419 COFFEE COLLECTING TRAY ø 138 mm

for Coffee grinder (MACAP) MC4 - MC4T - MC5 - MC5T
 for Grinder-dispenser (GAGGIA) MD58COMPACT
 for Grinder-dispenser (MACAP) M4 - M4A - M4D - M4T
 M5 - M5A - M5D - M5T
 for Grinder-dispenser (SPAZIALE) TOP



GAGGIA 4931C0007M115

The data herewith contained may change without notice and LF SpA cannot be held responsible for possible errors stated or resulting by the use of this document. All rights reserved. No part of this publication may be reproduced without written permission by LF SpA.



LF SpA

via Voltri, 80 - 47522 Cesena (FC) ITALIA
Tel. +39 0547 34 11 11 - Fax +39 0547 34 11 10
www.lfricambi724.it - www.lfricambi724.mobi
info@lfricambi.it
Export Dept.: Tel. +39 0547 34 11 50 - Fax: +39 0547 34 11 55
www.lfspareparts724.com - www.lfspareparts724.mobi
export@lfspareparts.com

FRANCE



EPGC Sas

13, Rue des Forts - 59960 Neuville en Ferrain
Tél. +33 (0)3 20 25 06 21
Fax +33 (0)3 20 25 34 12
www.epgc.com
www.epgc724.mobi
epgc@epgc.com

DEUTSCHLAND



LF GmbH

Junkersstrasse, 1 - D-82178 Puchheim - München
Tel. +49 89 89 45 78 66
Fax +49 89 89 45 78 88
www.lfersatzteile724.de
www.lfersatzteile724.mobi
info@lfersatzteile.de

SCHWEIZ



LF GmbH Verkaufsbüro

Sennweidstrasse, 45 - CH-6312 Steinhausen
Tel. +41 (0)41 760 15 80-1
Fax +41 (0)41 760 15 85
www.lfersatzteile724.ch
www.lfersatzteile724.mobi
info@lfersatzteile.ch

ESPAÑA



LF Repuestos Horeca S.L.U.

Calle Ciudad Real, 10 - 45517 Escalonilla - Toledo
Tif. +34 91 477 91 00
Fax +34 91 477 90 81
www.lfrepuestos724.es
www.lfrepuestos724.mobi
info@lfrepuestos.es

UNITED KINGDOM



LF Spare Parts Ltd.

A10a Lakeside Business Park, Broadway Lane
South Cerney, Gloucestershire GL7 5XL
Tel. +44 (0)1285 86 16 25
Fax +44 (0)1285 86 39 49
www.lfspareparts724.co.uk
www.lfspareparts724.mobi
info@lfspareparts.co.uk

RUSSIA



OOO LF

ul, Anatoliya Zhivova, 8 - office 1 - 123100 Moscow
Tel. +7 499 259 85 75
Fax +7 495 725 26 53
www.lfspareparts724.ru
www.lfspareparts724.mobi
info@lfspareparts.ru

CHINA



LF China

Room 102, House 8, Lane 725, Mao Tai Rd.
Changning Dist. - 200336 Shanghai
Tel. +86 (0)21 33 53 66 31
Fax +86 (0)21 33 53 66 32
www.lfspareparts724.com
www.lfspareparts724.mobi
china@lfspareparts.com